

18 SERIES and 19 SERIES Exit Hardware

For nearly a century, Monarch Hardware has been carefully crafting panic and exit door hardware for both commercial and industrial needs. Today, as part of Worldwide Ingersoll-Rand, we have the resources to meet the ever-changing demands of our customers for the next 100 years. The Ingersoll-Rand Architectural Hardware Group leads the way in designing and manufacturing door hardware products for commercial and residential construction markets around the globe. Monarch Hardware is proud to be a part of this prestigious and innovative line of products.

Quality

Monarch Hardware is handcrafted from quality parts. Every detail is carefully scrutinized from our hand-polished finishes to our state-of-the-art electronic accessories. All of our products must stand up to some of the most rigorous testing and safety code standards in the industry. Our in-house UL-self-certified lab allows us to produce hardware that exceeds fire and life safety requirements and holds up to demanding and rigorous use. So when you order a Monarch exit device you know that it will perform even in high-traffic applications.

Craftsmanship

The **Monarch 19 SERIES** is just one example of our constant commitment to quality. The **19 SERIES** is manufactured as a dependable workhorse in situations where low cost and dependability are essential. This series is the economical answer to a variety of exit needs and is available with a full range of electrified features.

This product is available in panic and "B" label (1-1/2 hour) fire exit construction, and comes in MAL powder-coated aluminum, M13 powder-coated dark bronze finishes, and 32D/26D stainless steel/chrome. The **19 SERIES** also comes with a full complement of trims.

Customer Service

Our dedication to quality goes beyond the products we make. The customer is at the core of everything we do. That is why we have one of the fastest turnarounds in the industry. We know that even the best door hardware is not worth much to our customers if it is not there when they need it. As a customer, you will enjoy the personalized support that comes with our products. This dedication to fast, responsive service at an affordable price, is the reason our loyal customers continue to rely on Monarch for their exit hardware needs.

So turn to Monarch when you need hardware right Now.

Finish No.	U.S. Finish	Description	
605	3	Bright Brass	Clear Coated
606	4	Satin Brass	Clear Coated
611	9	Bright Bronze	Clear Coated
612	10	Satin Bronze	Clear Coated
613	10B	Oil-Rubbed Bronze	Oxidized Satin Bronze, Oil Rubbed, No Coating
625	26	Bright Chromium Plated	No Coating
626	26D	Satin Chromium Plated	No Coating
627	27	Satin Aluminum	Clear Anodized
629	32	Bright Stainless Steel	No Coating
630	32D	Satin Stainless Steel	
689	MAL	Powder-Coated Aluminum	
695	M13	Powder-Coated Dark Bronze	



Top Notch Distributors, Inc.

East – Pennsylvania
800-233-4210
Fax 800-854-4146

Midwest – Missouri
800-211-4607
Fax 800-211-4608

Southwest – Texas
866-693-6903
Fax 866-693-6904

West – Nevada
800-722-4210
Fax 800-248-3620

www.topnotchinc.com

sales@topnotchinc.com

How To Order

18 SERIES

1. PREFIXES

- EA** = Exit alarm
- HWEA** = Hardware Exit alarm
- ED** = Electric dogging
- CD** = Cylinder dogging
- DE** = Delayed egress (18 SERIES rim, mortise, concealed only)
- DL** = Dead locking
- ELR** = Electric latch retraction

2. F = Fire

Blank = Panic

3. SERIES

18

4. TYPE

- R** = Rim
- V** = Surface vertical
V1, V2, V-LBR options
- M** = Mortise
- C** = Concealed
- C-WDC** = Concealed wood door
– LBR (less bottom rod) option
- C-WDC(20)** = Concealed wood door fire 20 min.
- C-WDC(90)** = Concealed wood door fire 90 min.
- TPL** = Three point latch
TPL1, TPL2, TPL-LBR Options

5. TRIM FUNCTION

Specify Trim Type (See Trim pages)

6. ELECTRIC FEATURE

- FSA SM**
- FSE SM**
- AE LK**
- DM KOR**

7. LENGTH

- LNG**
- SHT**
- 14" TB**
- 9" TB**

8. FINISH

- US-3 US-26D, US-4, US-27**
- US-9, US-32, US-10, US-32D**
- US-10B, MAL, US-26, M13**

19 SERIES

1. PREFIXES

- EA** = Exit Alarm
- HWEA** = Hardware Exit Alarm
- ED** = Electric Dogging
- CD** = Cylinder Dogging
- ELR** = Electric Latch Retraction

2. F = Fire

Blank = Panic

3. SERIES

19

4. TYPE

- R** = Rim
- V** = Surface Vertical
- V1, V2, V-LBR** Options

5. TRIM FUNCTION

Specify trim type (See Trim pages)

6. ELECTRIC FEATURE

- FSA LM**
- FSE SM**
- AE LK**
- DM KOR**

7. LENGTH

- LNG**
- SHT**
- 14" TB**
- 9" TB**

8. FINISH

- US-32D**
- MAL**
- M13**

How-To-Order Sequence Example

ELR – F – 19 – R – LControl Quantum x SM x SHT x MAL

① ② ③ ④ ⑤ ⑥ ⑦ ⑧

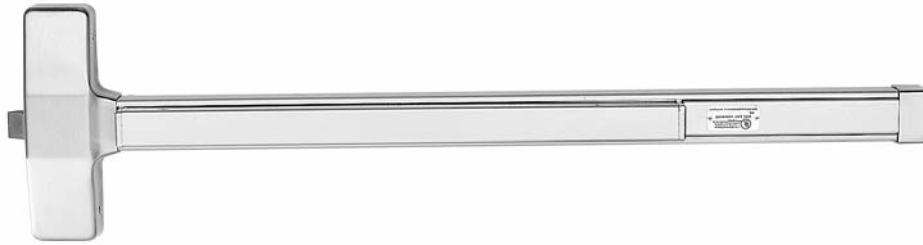
How-To-Order Sequence Example

ELR – F – 18 – R – LE Quantum x SM x SHT x US-3

① ② ③ ④ ⑤ ⑥ ⑦ ⑧



F-18-R SERIES



NON-HANDED RIM DEVICE FIRE EXIT HARDWARE

MONARCH **F-18-R SERIES** FIRE RATED RIM DEVICE is produced with the demanding quality standards required for a superior fire rated device. The investment cast stainless steel chassis, stainless steel latch bolt and standard deadlocking feature ensure years of reliable service in high-traffic installations. The **F-18-R SERIES** device is a single-point, rim-type latch with the sleek styling of the modern pushbar design.

Note: For exit alarm, add 4 1/2" to minimum door size.
For electric dogging, add 4 1/2" to minimum door size. For delayed egress-short: 3'0" only.
Long 3'6" to 4'0".
Long by short touchbar: 3'0" to 3'6"

DEVICE SIZING CHART A

Device	Length	Strike	Min. Stile	Door Opening (Width)
F-18-R-BA	Short	F570/F490	4"	2' 6" to 3' 0"
F-18-R-BA	Long	F570/F490	4"	3' 0" to 4' 2"

Specifications:

Hand: Non-handed.

UL: "A" Label (three hour); 4' 0" x 8' 0" with F-4023 Mullion.
"B" Label (1 1/2 hour); 8' 0" x 8' 0" with CRF-4023 Mullion.

Functions: All functions are built into "BA" (basic assembly) device. For KE or LE trim, add 3755 K Hub. For KIL trim, add 6129 KIL Hub and 6125 mounting plate. See Trim Selection page.

Available Finishes: US3 (605), US4 (606), US9 (611), US10 (612), US10B (613), US26 (625), US26D (626), US27 (627), US32 (629), US32D (630), MAL, M13.

Strikes: Stainless steel F-570 or F-490.

Latch Bolt: Stainless steel, 3/4" Throw.

Deadlocking Latch Bolt: Standard.

Stock Sizes: 3' short, 4' long. Cut to size in the field.

Doors: 1 3/4" thick wood or metal. Specify thickness if other than 1 3/4".

Projection: 2 3/8" Maximum.



F-490 Strike



F-570 Strike



Mounting Height: 40 1/4" from CL to finished floor.

Electric Function: Can be interfaced with building security systems, latch retraction, lock/unlock, security monitoring electric dogging, exit indicator, delayed egress, and exit alarms are available (ELR and ED furnished fail secure). Subject to state & local code agreements.

Fasteners: All mounting screws are concealed. Furnished with all machine screws.

Sex Bolts: 1-#4122 (1/4-20) SNB supplied standard. When used with wood, composite or non-reinforced hollow metal, sex bolts must be specified. 6-#2729 (10-24) SNB are required. If thru-bolted trim is used, 2-#2729 (10-24) SNB are required.

ANSI: Certified ANSI A156.3-2001 Grade-1 Standards.

Double Cylinder: ANSI Function 07 & 10. Specify: T2, KE2 or LE2.

Double Outside Cylinder: ANSI Function 07 & 10 with both cylinders on outside. Specify: T(2 O.C.), KE(2 O.C.) or LE(2 O.C.).

Chassis & Working Parts: Chassis is investment cast stainless steel with heavy, wrought, forged, investment cast and sintered metal parts.

Shim Kit: For glass lite applications; 1/4" thick. Specify SK18-RMC-1/4.



Top Notch Distributors, Inc.

East - Pennsylvania
800-233-4210
Fax 800-854-4146

Midwest - Missouri
800-211-4607
Fax 800-211-4608

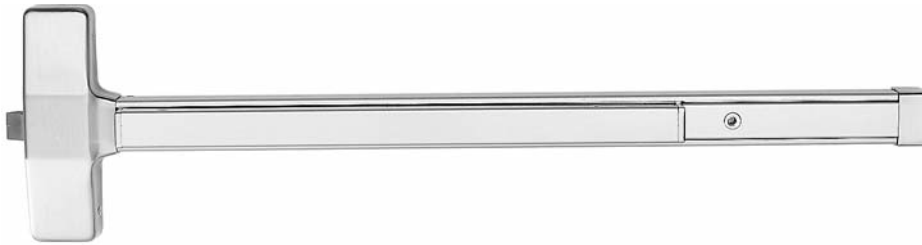
Southwest - Texas
866-693-6903
Fax 866-693-6904

West - Nevada
800-722-4210
Fax 800-248-3620

www.topnotchinc.com

sales@topnotchinc.com

18-R SERIES



Note: For cylinder dogging add 2 1/4" to minimum door size.
 For exit alarm, add 4 1/2" to minimum door size.
 For electric dogging, add 4 1/2" to minimum door size.
 For delayed egress-short: 3' 0" only. Long 3' 6" to 4' 0".
 Long by short touchbar: 3' 6" to 4' 0".

NON-HANDED RIM DEVICES PANIC EXIT HARDWARE

The MONARCH **18-R SERIES** RIM DEVICE is produced to meet the demanding requirements for high-traffic installations. This device is a single-point, rim-type latch with the sleek styling of the modern pushbar design.

DEVICE SIZING CHART A

Device	Length	Strike	Min. Stile	Door Opening (Width)
18R-B-A	Short	565 Flush	3 1/4"	2' 7" to 3' 0"
		565	3 3/4"	2' 7" to 3' 0"
		570/490	4"	2' 7" to 3' 0"
18-R-BA	Long	579	3 1/2"	2' 7" to 3' 0"
		565 Flush	3 1/4"	3' 0" to 4' 0"
		565	3 3/4"	3' 0" to 4' 0"
		570/490	4"	3' 0" to 4' 0"
		579	3 1/2"	3' 0" to 4' 0"

**570
 Standard
 Strike**



**571/571A
 Strike**



**2789
 Dogging Key**



**565
 Strike**



**579
 Strike**



**490
 Strike**



18-R SERIES

NON-HANDED RIM DEVICES PANIC EXIT HARDWARE

Specifications:

Hand: Non-handed.

Functions: All functions are built into "BA" (Basic Assembly) device. For KE or LE trim, add 3755 K Hub. For KIL trim, add 6129 KIL Hub and 6125 mounting plate. See Trim Selection Chart page.

Available Finish: US3 (605), US4 (606), US9 (611), US10 (612), US10B (613), US26 (625), US26D (626), US27 (627), US32 (629), US32D (630), MAL, M13.

Strikes: Stainless Steel 570 adjustable standard. 565,490,579, and 571/571A optional

Latch Bolt: Stainless Steel, 3/4" throw.

Deadlocking Latch Bolt: Optional, Specify "DL" prefix.

Dogging Feature: 1/2" turn cam dogging standard. No threaded parts to wear out.

Cylinder Dogging: Specify "CD" prefix. Uses 1 1/8" long mortise cylinder with standard cam.

Stock Size: 3' short, 4' long. Cut to size in field.

Doors: 1 3/4" thick wood or metal. Specify thickness if other than 1 3/4".

Projection: 2 3/8" maximum, 1 7/8" dogged.

Mounting Height: 40 1/4" from CL to finished floor.

Electric Function: Can be interfaced with building security systems, latch retraction, lock/unlock, security monitoring electric dogging, exit indicator, delayed egress, and exit alarms are available.

Fasteners: All mounting screws are concealed. Sheet metal screws furnished standard. Machine screws available, specify AMS.

Sex Bolts: 1-#4122 (1/4-20) SNB supplied standard. When used with wood, composite or light gauge hollow metal, sex bolts must be specified. 4-#2729 (10-24) SNB are required. If thru-bolted trim is used, 1-#4122 (1/4-20) SNB supplied standard.

ANSI: Certified ANSI A156.3-2001 Grade-1 Standards.

Double Cylinder: ANSI Function 07 & 10. Specify: T2,KE2 or LE2.

Double Outside Cylinder: ANSI Function 07 & 10 with both cylinders on outside. Specify: T(2 O.C.), KE(2 O.C.), or LE(2 O.C.).

Chassis & Working Parts: Chassis is pressure die cast aluminum with heavy, wrought, forged, investment cast and sintered metal parts. (DE Chassis is investment cast Stainless Steel.)

Shim Kit: For glass lite applications; 1/4" thick. Specify: SK18-RMC-1/4.



Top Notch Distributors, Inc.

East - Pennsylvania
800-233-4210
Fax 800-854-4146

Midwest - Missouri
800-211-4607
Fax 800-211-4608

Southwest - Texas
866-693-6903
Fax 866-693-6904

West - Nevada
800-722-4210
Fax 800-248-3620

www.topnotchinc.com

sales@topnotchinc.com

F-18-V SERIES

REVERSIBLE VERTICAL ROD DEVICE FIRE EXIT HARDWARE

The MONARCH **F-18-V SERIES** FIRE RATED VERTICAL ROD DEVICE is produced to meet the demanding requirements for high-traffic installations. The **F-18-V SERIES** is a surface-applied (including strikes) vertical-rod type with the sleek styling of the modern pushbar design with top latches deadlocking feature.

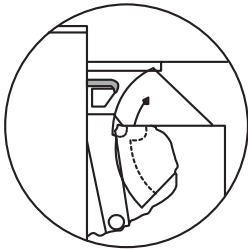
DEVICE SIZING CHART A

Device	Length	Strike	Min. Stile	Door Opening (Width)
F-18V	Short	3163	3 1/2"	2' 6" to 3' 0"
F-18V	Long	3163	3 1/2"	3' 0" to 4' 0"

Note: For exit alarm and electric dogging, add 4 1/2" to minimum door width.



F-18-V1 shown



Latch retention hold is in the top latch. Retainer is released when it engages the strike. The door is in the closed position.



Also Available:
Bottom Slide Bolt.
Specify **F-18-V2**



F-18-V SERIES

Specifications:

Hand: Field reversible.

UL: "A" label (Three-hour); 4' 0" x 10' 0" and 8' 0" x 10' 0" double egress.

Functions: F-18-V-"BA" (Basic Assembly) has all functions built in. Order trim with the device or add it later. For KE or LE function add 4232 K Hub. For KIL function, add 6131 KIL Hub and 6132 mounting plate. See Trim Selection Chart page.

Available Finishes: US3 (605), US4 (606), US9 (611), US10 (612), US10B (613), US26 (625), US26D (626), US27 (627), US32 (629), US32D (630), MAL, M13.

Strikes: 3788 strikes are surface applied, standard with V1. The 2130 bottom strike is mortised into the floor (V1 or V2, see below).

Latch Bolt: Top stainless steel, 3/4" throw. V2 bottom bolt, 1/2" throw.

Deadlocking Latchbolt: Standard.

Latch Retraction Hold: Standard with top latch.

Stock Size: 3' short, 4' long.

Doors: 1 3/4" thick wood or metal. Specify thickness if other than 1 3/4".

Projection: 2 3/8" maximum.

Stile: 3 1/2" minimum.

Electric Function: Can be interfaced with building security systems. Latch retraction, lock/unlock, security monitoring electric dogging, exit indicator, latch retract indicator and exit alarm available (ELR and ED furnished fail secure). Subject to state & local code agreements. (See separate Electrical Brochure).

Fasteners: All mounting screws are concealed. Furnished with all machine screws.

Sex Bolts: 1-#4122 (1/4-20) SNB supplied standard. When used with wood, composite or non-reinforced hollow metal, sex bolts must be specified. 10-#2729 (10-24) SNB for V1; 11-#2729 (10-24) SNB are required for V2. When used with thru-bolted trim deduct 4-#2729 SNB. 7-#2729 (10-24) SNB are required for LBR.

ANSI: Certified ANSI A156.3-2001 Grade-1 Standards.

Double Cylinder: ANSI Function 07 & 10. Specify: T2, KE2 or LE2.

Double Outside Cylinder: ANSI Function 07 & 10 with both cylinders on outside. Specify: T(2 O.C.), KE(2 O.C.) or LE(2 O.C.).

F18-V: Pullman top latch and bottom square bolt. 3788 strike top, 2130 flush strike bottom.

F18-V-LBR: Less bottom rod vertical device with side-of-door-mounted explosion bolt. "A" Label (3 hour) 8' 0" x 8' 0" double egress. (20 minute fire rating on wood doors).

Vertical Rods: Furnished to length based on 40" horizontal CL from finished floor and a 7'0" standard door. Variations from these standards must be specified when ordering.

Three-Point Latch: F-18-TPL combination mortise and surface vertical rod device. F-18-TPL and 18-V-LBR with (3 hour) "A" label.

Shim Kit: For glass lite applications 1/4" thick, specify SK18-V-1/4.



Top Notch Distributors, Inc.

East - Pennsylvania
800-233-4210
Fax 800-854-4146

Midwest - Missouri
800-211-4607
Fax 800-211-4608

Southwest - Texas
866-693-6903
Fax 866-693-6904

West - Nevada
800-722-4210
Fax 800-248-3620

www.topnotchinc.com

sales@topnotchinc.com

18-V SERIES

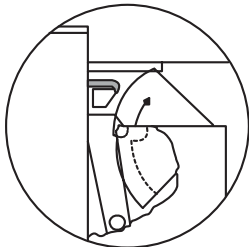
REVERSIBLE VERTICAL ROD DEVICE PANIC EXIT HARDWARE

The MONARCH **18-V SERIES** VERTICAL ROD DEVICE is produced to meet the demanding requirements for high-traffic installations. The **18-V SERIES** device is a surface-applied (including strikes) vertical-rod type with the sleek styling of the modern pushbar design with top latches deadlocking feature.

DEVICE SIZING CHART A

Device	Length	Strike	Min. Stile	Door Opening (Width)
18-V	Short	4163	3 1/2"	2' 6" to 3' 0"
18-V	Long	4163	3 1/2"	3' 0" to 4' 0"

Note: For exit alarm and electric dogging, add 2 1/4" to minimum door width.
Cylinder dogging add 2 1/4" to minimum door width.



Latch retention hold is in the top latch. Retainer is released when it engages the strike. The door is in the closed position.

Cylinder Dogging



2789 Dogging Key



Also Available:
Bottom Slide Bolt.
Specify **18-V2**.

2130 Strike



**4163
Strike**

18-V1 shown



18-V SERIES

Specifications:

Hand: Field reversible.

Functions: F-18-V-“BA” (Basic Assembly) has all functions built in. Order trim with the device or add it later. For KE or LE function add 4232 K Hub. For KIL function, add 6131 KIL Hub and 6132 mounting plate. See Trim Selection Chart page.

Available Finishes: US3 (605), US4 (606), US9 (611), US10 (612), US10B (613), US26 (625), US26D (626), US27 (627), US32 (629), US32D (630), MAL, M13.

Strikes: 4163 top strike is surface applied, standard with V1. The 2130 bottom strike is mortised into the floor (V1 or V2, see below).

Angle Bracket: Use 4215 angle bracket in flush transom installations. This allows use of the standard 4163 strike.

Latch Bolt: Top stainless steel, 3/4" throw. V2 bottom bolt, 1/2" throw.

Deadlocking Latch Bolt: Standard.

Latch Retraction Hold: Standard with top latch.

Dogging Feature: 1/2 turn cam dogging standard. No threaded parts to wear out.

Cylinder Dogging: Specify “CD” prefix. Uses 1 1/8" long mortise cylinder with standard cam.

Stock Size: 3' short, 4' long.

Doors: 1 3/4" thick wood or metal. Specify thickness if other than 1 3/4".

Projection: 2 3/8" maximum, 1 7/8" dogged.

Stile: 3 1/2" minimum.

Electric Function: Can be interfaced with building security systems. Latch retraction, lock/unlock, security monitoring electric dogging, exit indicator, latch retract indicator and exit alarm available. (See separate electric brochure).

Fasteners: All mounting screws are concealed, sheet metal screws standard, machine screws available, specify AMS.

Sex bolt: 1-#4122 (1/4-20) SNB supplied standard.

When used with hollow core, composite or light gauge hollow metal, specify 10-#2729 (10-24) SNB for V1; 11-#2729 (10-24) SNB are required for V2.; 7-#2729 (10-24) SNB for LBR. When used with thru-bolted trim deduct 4-#2729 SNB.

ANSI: Certified ANSI A156.3-2001 Grade-1 standards.

Double Cylinder: ANSI functions 07 & 10; specify: T2, KE2 or LE2

Double Outside Cylinder: ANSI functions 07 & 10 with both cylinders on outside. Specify: T(2 O.C.), K(2 O.C.) or L(2 O.C.)

18-V: Pullman top latch and bottom square bolt. 4163 strike top, 2130 flush strike bottom.

18-V-LBR, 18-TPL-LBR: Less bottom rod vertical device.

Vertical Rods: Furnished to length based on 40 1/4" horizontal CL from finished floor and a 7' 0" standard door. Variations from these standards must be specified when ordering.

Three Point Latch: 18-TPL: (combination mortise and surface vertical rod device) or 18-TPL-LBR.

Shim Kit: For glass lite applications; 1/4" thick specify SK18-V-1/4.



Top Notch Distributors, Inc.

East – Pennsylvania
800-233-4210
Fax 800-854-4146

Midwest – Missouri
800-211-4607
Fax 800-211-4608

Southwest – Texas
866-693-6903
Fax 866-693-6904

West – Nevada
800-722-4210
Fax 800-248-3620

www.topnotchinc.com

sales@topnotchinc.com

18 SERIES Accessories

The **2923, (F)4023** and **CR(F)4023** STEEL MULLIONS are for use with the **18-R** devices on double-door openings. Advantage: increased security and tighter closure. Minimize door warpage and sag. Regulates the flow of in-and-out traffic.

Monarch removable mullions are easily removed and reinstalled for full width access.

Rim devices are used on both leaves, attaining a perfectly symmetrical opening.

The mullion assembly consists of a mullion, top and bottom mounting brackets and a screw pack. Soffit adapters are available for use with either the **2923** or the **4023 mullion**. Please see Price book for ordering information.

The **(F)-4023** and **CR(F)-4023** fire-rated mullion also includes four stabilizer blocks as required for labeled installations.

Strikes are not furnished with the mullion.

Mullions may be cut on the job for doors under stock lengths.

MULLION FEATURES

- Mullion fittings — ductile iron.
- **4023 & (F)-4023/CR 4023** and **CR(F)-4023** — 2" x 3" x height.
- **2923** mullion — 1½" x 2½" x height.
- Prime coat standard.
- 7' or 8' door opening standard, other door opening as specified.

CYLINDERS

- Cylinders for **18-R** and **18-V SERIES** devices with cylinder operation are rim cylinders with either horizontal or vertical tailpiece.
- Cylinder supplied only when specified.
- Cylinders available keyed alike and keyed different.

SEX NUTS

Sex nuts are available in lengths (under the head) of 1²¹/₃₂". Screws to fit are available in ¾" and 2" lengths to cover a wide range of door thicknesses.

B-2729 (#10-24 Thread)

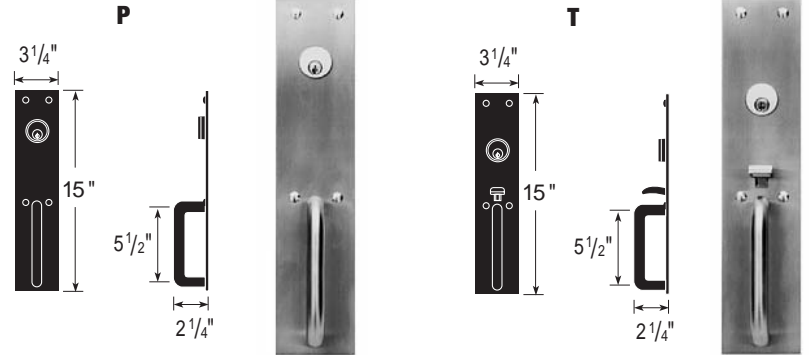
B-4122 (¼"-20 Thread)



18 SERIES
Trim Designs

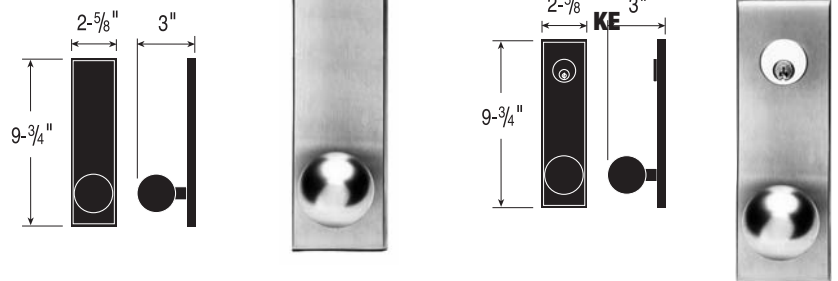
Apollo

Pull: 5 1/2" OC
Escutcheon: 3 1/4" x 15"
Projections: 2 1/4"
Brass, Bronze, Stainless Steel, and Aluminum



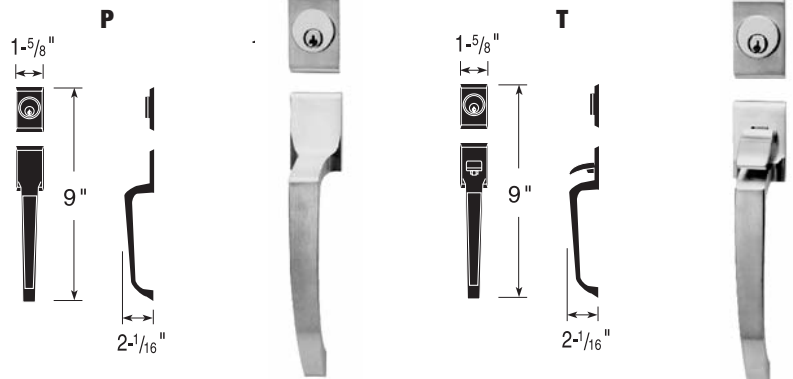
KE

Round ball knob
Escutcheon: 2 5/8" x 9 3/4"
Projection: 3 3/8"
Brass, Bronze



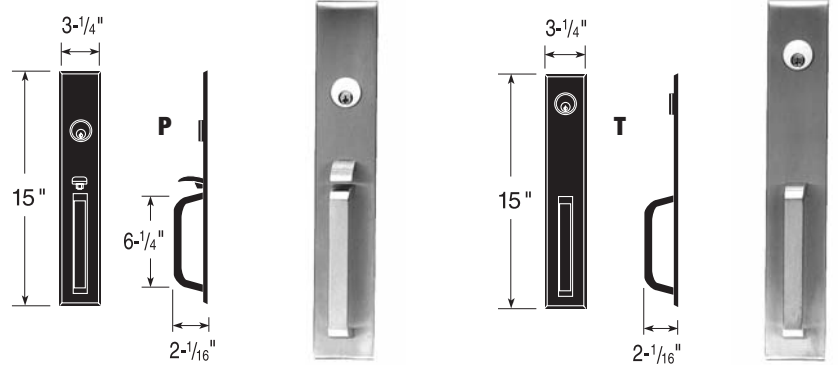
STANDARD

Grip overall: 9"
Width: 1 5/8"
Pull: 6 1/4" C-C
Projections: 2 1/4"
Brass, Bronze, Plated, and Aluminum



VANGUARD

Grip: 6 1/4" C-C
Escutcheon: 2 5/8" x 16"
Projections: 2 1/16"
Brass, Bronze, Stainless Steel, and Aluminum



East - Pennsylvania
800-233-4210
Fax 800-854-4146

Midwest - Missouri
800-211-4607
Fax 800-211-4608

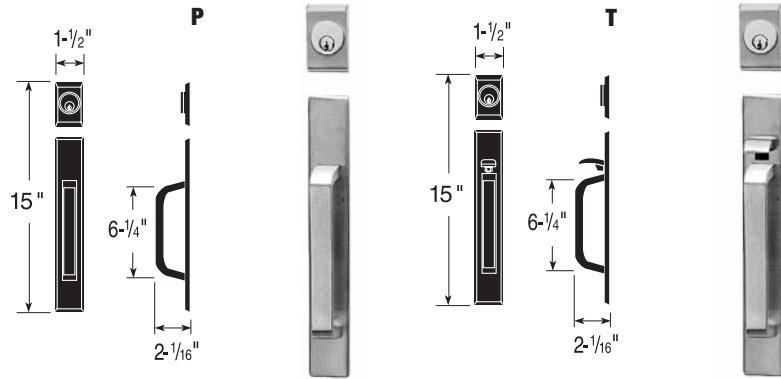
Southwest - Texas
866-693-6903
Fax 866-693-6904

West - Nevada
800-722-4210
Fax 800-248-3620

18 SERIES
Trim Designs

ZEPHYR

Pull: 6¹/₄" C-C
Escutcheon: 11¹/₂" x 1¹/₂"
Projections: 2¹/₁₆" (Escutcheon is 15" long)
Brass, Bronze, Aluminum, or Stainless Steel



LE

AVALON

Lever: 4⁵/₈" Escutcheon: 2⁵/₈" x 9³/₄"
Projection: 2⁵/₈" – 3⁵/₈" (Specify handling)
Stainless Steel and Brass

CAPRI

Lever: 4⁵/₈" Escutcheon: 2⁵/₈" x 9³/₄"
Projection: 2⁵/₈" – 3⁵/₈" (Specify handling)
Stainless Steel, Brass and Bronze



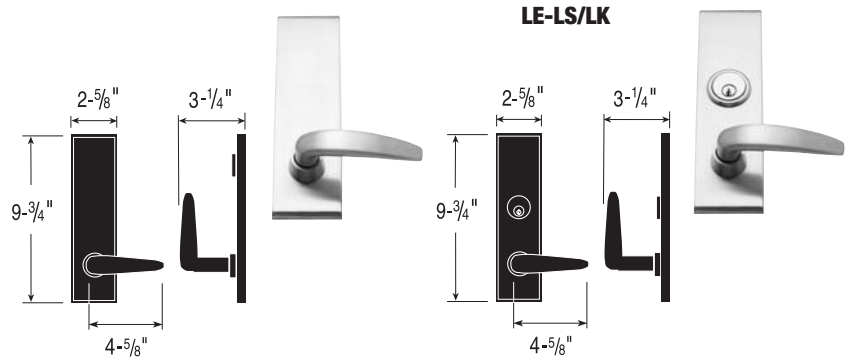
- Dane, Sutro, and Quantum return to 1/2" of door. Meets handicap codes in most states. Thumbpiece trim meets handicap codes in some states.

SUTRO

Lever: 4⁵/₈" Escutcheon: 2⁵/₈" x 9³/₄"
Projection: 2⁵/₈" – 3⁵/₈" (Specify handling)
Stainless Steel, Brass and Bronze



LE



DANE

Lever: 4⁵/₈" Escutcheon: 2⁵/₈" x 9³/₄"
Projection: 2⁵/₈" – 3⁵/₈" (Specify handling)
Stainless Steel, Brass and Bronze



QUANTUM


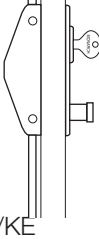
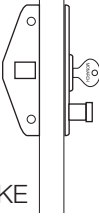
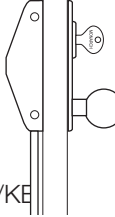
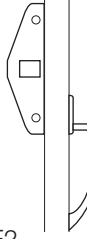
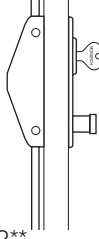
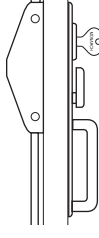
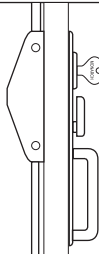
Lever: 4⁵/₈" Escutcheon: 2⁵/₈" x 9³/₄"
Projection: 2⁵/₈" – 3⁵/₈" (Specify handling)
Stainless Steel, Brass and Bronze



18 SERIES Functions

Monarch BA or N	ANSI (01)	Rim	Vertical Rod	Description
				Exit only, no trim.
	Type 1 18-R-BA		Type 2 18-V-BA	
DT or TDT	(02)			Entrance by trim, when actuating bar is locked down.
	Type 1 18-R-DT		Type 2 18-V-DT	
P	(03)			Entrance by trim when latch bolt is retracted by key. Key removable only when locked.
	Type 1 18-R-P		Type 2 furnished upon request.	
T	(05)			Entrance by turnpiece. Key locks or unlocks thumbpiece.
	Type 1 18-R-T		Type 2 18-V-T	
T (NL)	(06)			Entrance by turnpiece, only when released by key. Key removable only when locked.
	Type 1 18-R-T (NL)		Type 2 18-V-T (NL)	
T (2)	(07)			Entrance by turnpiece. Inside key locks or unlocks thumbpiece. Outside key retracts latch.
	Type 1 18-R-T2		Type 2 furnished upon request.	

18 SERIES Functions

Monarch	ANSI	Rim	Vertical Rod	Description
LE or KE	(08)			Entrance by knob or lever. Key locks or unlocks knob.
		Type 1 18-R-LE/KE	Type 2 18-V-LE/KE	
LE(NL) or KE(NL)	(09)			Entrance by knob or lever only when released by key. Key removable only when locked.
		Type 1 18-R-LE/KE (NL)	Type 2 18-V-LE/KE (NL)	
LE2 or KE2	(10)			Entrance by knob or lever. Inside key locks or unlocks knob. Outside key retracts latch.
		Type 1 18-R-LE/KE2	Type 2 18-V-LE2**	
SLP or SL	(11)			Entrance by control turnpiece. Key locks or unlocks knob.
			Type 2 18-V-SL	
SLP(NL) or SL(NL)	(12)			Entrance by control turnpiece only when released by turn key. Key removable only when locked.
			Type 2 18-V-SL(NL)	

**Inside rim cylinder requires 2 1/4" long tailpiece.



F-19-R SERIES



NON-HANDED RIM DEVICE FIRE EXIT HARDWARE

The **F-19 Rim** FIRE EXIT DEVICE is an outstanding addition to the trendsetting touchbar design. This device is non-handed and is listed by UL for B label fire door installations on 4'0" x 7'2" single doors and/or 8'0" x 7'2" double doors with Monarch's **F-4023** removable mullion or **CRF-4023**. The "BA" (basic assembly) device is ready to accept any trim function shown on the Trim Design page.

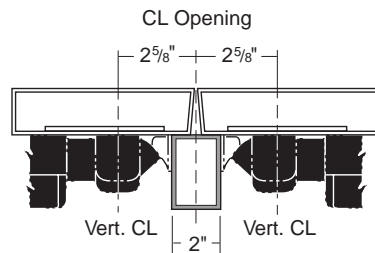
Device & Trim	ANSI Type	ANSI Function
F-19-R-BA	1 or 4	01
F-19-R-P	1 or 4	03
F-19-R-T¹	1 or 4	05
F-19-R-T-NL	1 or 4	06
F-19-R-K (or L)¹	1 or 4	08
F-19-R-K-NL (or L-NL)	1 or 4	09

¹ For less locking, specify LS/LK.

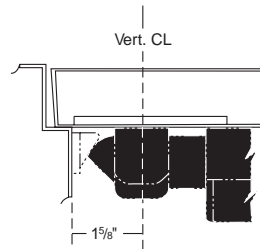
**F-490
Strike**



**F-570
Strike**



F-4023 and CRF-4023
Mullion (2" x 3")
using F-570 strike



From top of stop
using F-570 strike.

F-19-R SERIES

Specifications:

Hand: Non-Handed.

UL: "B" label (1¹/₂hr.); 4'0" x 7'2".

Functions: All functions built into "BA" device. All **19 SERIES** trim works with rim or vertical devices. See Trim Selection Chart.

Finishes: Powder-Coated Aluminum — MAL; Powder-Coated Dark Bronze — M13; Stainless Steel US32D (630); and Satin Brass US4 (606).

Strikes: Stainless steel, F-570 or F-490.

Latch Bolt: Stainless steel, ³/₄" throw.

Deadlocking Latchbolt: Standard.

Stock Sizes: Short — 2' 5¹/₄" to 3' 0". Long — 3' 0" to 4'0".

Doors: 1³/₄" thick, wood or metal. Specify thickness if other than 1³/₄". (SNB must be specified on wood or composite doors.)

Projection: 2¹/₂" maximum.

Electric Function: Can be interfaced with building security systems. Latch retraction, lock/unlock, security monitoring, electric dogging, exit indicator, latch retract indicator and exit alarm available (ELR and ED furnished fail secure). Subject to state & local code agreements. (See separated Electrical Brochure).

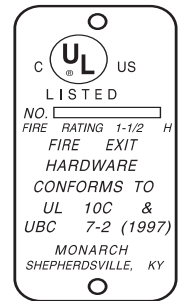
Fasteners: All mounting screws are concealed. Furnished with all machine screws.

Sex Bolts: When used with wood, composite or non-reinforced hollow metal, sex bolts must be specified, 3-#4122 (1/4-20) SNB standard. An additional 2-#2729 (10-24) SNB must be specified.

ANSI: Certified ANSI A156.3-2001 Grade 1 standards.

Shim Kit: For glass lite applications; ¹/₄" thick specify SK-19-R-¹/₄", ¹/₈" thick specify SK19-R-¹/₈".

161 Cutout: Device covers 161 cutout with KIK/KIL, Centron and Trident trims. Other trim requires cover plate.



19-R SERIES



NON-HANDED RIM DEVICE PANIC EXIT HARDWARE

The Monarch **19-R SERIES** RIM DEVICE meets the demand for superior panic hardware. This durable economical device is designed to meet the needs for modern touchbar styling by eliminating the need for lever arms and crossbars. This non-handed device covers a 161 cutout and may be used on 1³/₄" narrow stile aluminum doors. The "BA" (Basic Assembly) device is ready to accept any trim function shown on the Trim Design page.

Device & Trim	ANSI Type	ANSI Type	ANSI Function	ANSI Function
19-R-BA	1	01	4	01
19-R-DT	1	02	4	02
19-R-P	1	03	4	03
19-R-T¹	1	05	4	05
19-R-T-NL	1	06	4	06
19-R-K (or L)¹	1	08	4	08
19-R-K-NL (or L-NL)	1	09	4	09

¹ For less locking, specify LS/LK.

Cylinder Dogging



560
Standard



565
For narrow stile door and removable mullion installations.



571/571A
For rim x vertical rod installations.



2789
Dogging Key



490
Strike optional



19-R SERIES

SPECIFICATIONS:

Hand: Non-Handed.

Functions: All functions built into "BA" device. All **19 SERIES** trim works with rim or vertical devices. See Trim Selection Chart.

Finishes: Powder-Coated Aluminum-MAL; Powder-Coated Dark Bronze-M13; Stainless Steel US32D (630), Satin Brass US4 (606).

Strikes: 560 standard. 565, 571/571A, 490 optional.

Latch Bolt: Stainless steel, 3/4" throw.

Deadlocking Latchbolt: Standard.

Dogging Feature: 1/2 turn cam dogging standard. No threaded parts to wear out.

Cylinder Dogging: Specify "CD" prefix. Use 1 1/8" long mortise cylinder with standard "A" cam.

Stock Sizes: Short — 2' 5" to 3' 0". Long — 3' 0" to 4' 0".

Doors: 1 3/4" thick, wood or metal. Specify thickness if other than 1 3/4".

Narrow Stile Doors: Specify 565 strike.

Projection: 2 1/2" maximum; 1 7/8" dogged.

Electric Function: Can be interfaced with building security system. Latch retraction, lock/unlock, security monitoring, electric dogging, exit indicator, latch retract indicator, and exit alarm available. (See separate Electrical Brochure.)

Fasteners: All mounting screws are concealed. Furnished with sheet metal screws. Machine screws available, specify AMS.

Sex Bolts: When used with wood, composite or non-reinforced hollow metal, sex bolts must be specified, 3-#4122 (1/4-20) SNB standard.

ANSI: Certified ANSI A156.3-2001 Grade 1 standards.

Shim Kit: For glass lites applications; 1/4" thick specify SK 19-R-1/4".

161 Cutout: Device covers 161 cutout with KIK/KIL, centron trims. Other trim requires cover plate.



F-19-V SERIES

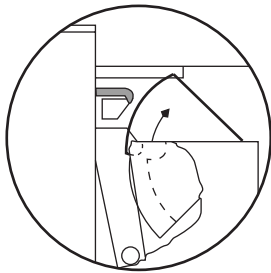
REVERSIBLE VERTICAL ROD DEVICE FIRE EXIT HARDWARE

Manufactured with the same outstanding quality as the **F-19 Rim**, the **F-19-V** FIRE EXIT DEVICE complies with most exit door requirements. The **F-19-V** is fully reversible and surface applied. This device is regularly furnished with pullman latch top which contains the deadlocking and latch retraction feature. (Specify **F-19-V1**.) For slide bolt at bottom and pullman latch with retraction hold and deadlocking at top, specify **F-19-V2**. (This device is listed by UL for B label fire door installations.)

The "BA" (basic assembly) device is ready to accept any trim function shown on the Trim Design page.

Device & Trim	ANSI Type	ANSI Function
F-19-V-BA	2	01
F-19-V-DT	2	02
F-19-V-T¹	2	05
F-19-V-T-NL	2	06
F-19-V-K (or L)¹	2	08
F-19-V-K-NL (or L-NL)	2	09

¹ For less locking, specify LS/LK.



Latch retention hold is in the top latch. Retainer is released when is in the closed position.

Also Available:
Bottom Slide Bolt.
Specify **F-19-V2**.

2130
Strike



F-19-V1 shown



3788
Strike



Top Notch Distributors, Inc.

East – Pennsylvania
800-233-4210
Fax 800-854-4146

Midwest – Missouri
800-211-4607
Fax 800-211-4608

Southwest – Texas
866-693-6903
Fax 866-693-6904

West – Nevada
800-722-4210
Fax 800-248-3620

www.topnotchinc.com

sales@topnotchinc.com

F-19-V SERIES

REVERSIBLE VERTICAL ROD DEVICE FIRE EXIT HARDWARE

Specifications:

Hand: Field reversible.

Functions: All functions built into "BA" device.
All **19 SERIES** trim works with rim or vertical devices.
See Trim Selection Chart.

Finishes: Powder-Coated Aluminum — MAL; Powder-Coated Dark Bronze — M13; Stainless Steel US32D (630) and Satin Brass US4 (606).

Strikes: 3788 strike is surface applied, standard with V1.2130 strike is mortised into floor. (V1 or V2, see below).

Latch Bolt: 3/4" throw, top stainless steel. V2 bottom latch bolt 1/2" throw.

Deadlocking Latchbolt: Standard.

Stock Sizes: Short — 2' 5 1/4" to 3' 0".
Long — 3' 0" to 4' 0".

Doors: 1 3/4" thick, wood or metal. Specify if other than 1 3/4" thick.

Projection: 2 1/2" maximum.

Electric Function: Can be interfaced with building security systems. Latch retraction, lock/unlock, security monitoring, electric dogging, exit indicator, latch retract indicator, and exit alarm available (ELR and ED furnished fail secure). Subject to code requirements, state and local. (See separated electrical brochure.)

Fasteners: All mounting screws are concealed.
All machine screws standard.

Sex Bolts: 3-#4122 (1/4-20) SNB standard.
Composite or non-reinforced wood, hollow metal require additional sex bolts.
F-19-V1: 6-#2729 #10-24 SNB
F-19-V2: 3-#2729 #10-24 SNB

ANSI: Certified ANSI A156.3-2001 Grade 1 standards.

F-19-V: Pullman latch and 3788 strike top deadbolt and 2130 flush strike bottom.

F-19-V-LBR: Pullman latch and 3788 strike top with side of door mounted explosion bolt.

Vertical Rods: Furnished to length based on a 40^{5/16}" horizontal CL from finished floor and a 7' 0" door standard. Variations from these standards must be specified when ordering.

Shim Kit: For glass lites applications 1/4" thick, specify SK-19-V-1-1/4.

161 Cutout: Device covers 161 cutout with KIK/KIL, Centron and Trident trims. Other trims require cover plate.



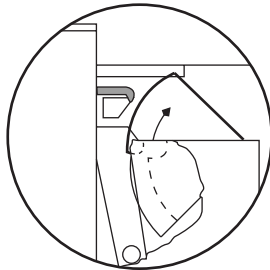
19-V SERIES

REVERSIBLE VERTICAL ROD DEVICE PANIC EXIT HARDWARE

Manufactured with the same outstanding quality as the **19 Rim**, the **19-V** EXIT DEVICE complies with most exit door requirements. The **19-V** is fully reversible and surface applied. This device is regularly furnished with pullman latch top which contains the deadlocking and latch retraction feature. (Specify **19-V1**.) For slide bolt at bottom and pullman latch with retraction hold and deadlocking at top, specify **19-V2**. The "BA" (basic assembly) device is ready to accept any trim function shown on the Trim Design page.

Device & Trim	ANSI Type	ANSI Function
19-V-BA	2	01
19-V-DT	2	02
19-V-P	2	03
19-V-T¹	2	05
19-V-T-NL	2	06
19-V-K (or L)¹	2	08
19-V-K-NL (or L-NL)	2	09

¹ For less locking, specify LS/LK.



Latch retention hold is in the top latch. Retainer is released when is in the closed position.

Cylinder Dogging



Dogging Key 2789



Also Available
Bottom Slide Bolt
Specify **19-V2**.

2130 Strike



4163 Strike

19-V1 shown



Top Notch Distributors, Inc.

East – Pennsylvania
800-233-4210
Fax 800-854-4146

Midwest – Missouri
800-211-4607
Fax 800-211-4608

Southwest – Texas
866-693-6903
Fax 866-693-6904

West – Nevada
800-722-4210
Fax 800-248-3620

www.topnotchinc.com

sales@topnotchinc.com

19-V SERIES

REVERSIBLE VERTICAL ROD DEVICE PANIC EXIT HARDWARE

Specifications:

Hand: Field reversible.

Functions: All functions built into "BA" device.
All **19 SERIES** trim works with rim or vertical devices.
See Trim Selection Chart.

Finishes: Powder-coated aluminum — MAL; powder-coated dark bronze — M13; stainless steel US32D (630) and satin brass US4 (606).

Strikes: 4163 strike is surface applied, standard with V1.
2130 strike is mortised into floor. (V1 or V2, see below).

Angle Bracket: Use 4215 angle bracket in flush transom or rabbited installations. Allows use of standard 4163 strike.

Latch Bolt: 3/4" throw, top stainless steel. V2 bottom latch bolt 1/2" throw.

Deadlocking Latch Bolt: Standard.

Dogging Feature: 1/2 turn cam dogging standard.
No threaded parts to wear out.

Cylinder Dogging: Specify "CD" prefix. Use 1 1/8" long mortise cylinder with standard "A" cam.

Stock Sizes: Short — 2' 5 1/4" to 3'0".
Long — 3' 0" to 4' 0".

Doors: 1 3/4" thick, wood or metal. Specify if other than 1 3/4" thick.

Narrow Stile Doors: To 1 3/4" N.S. aluminum.
With control trim — 1/4" min. stile.

Projection: 2 1/2" max., 1 7/8" dogged.

Electric Function: Can be interfaced with building security systems. Latch retraction, lock/unlock, security monitoring, electric dogging, exit indicator, latch retract indicator and exit alarm available.

Fasteners: All mounting screws are concealed.
Furnished with sheet metal screws. Machine screws available, specify AMS.

Sex Bolts: 3-#4122 (1/4-20) SNB standard.
Composite or non-reinforced wood, hollow core wood, light-gauge hollow metal, etc. require additional sex bolts.
19-V1: 6-#2729 #10-24 SNB
19-V2: 7-#2729 #10-24 SNB
19-V-LBR: 3-#2729 #10-24 SNB

ANSI: Certified ANSI A156.3 2001 Grade 1 standards.

19-V: Pullman latch and 4163 strike top, deadbolt and 2130 flush strike bottom.

19-V-LBR: Pullman latch and 4163 strike top.

Vertical Rods: Furnished to length based on a 40^{5/16}" horizontal CL from finished floor and a 7' 0" door standard. Variations from these standards must be specified when ordering.

Shim Kit: For glass lites applications 1/4" thick, specify SK-19-V-1/4.

161 Cutout: Device covers 161 cutout with KIK/KIL, Centron and Trident trims. Other trim requires cover plate.



19 SERIES Accessories

The **2923, 4023** and **CR4023** STEEL MULLIONS are for use with the **19-R** devices on double-door openings. Advantage: Increased security and tighter closure. Minimized door warpage and sag. Regulates the flow of in-and-out traffic.

Monarch removable mullions are easily removed and reinstalled for full width access.

Rim devices are used on both leaves, attaining a perfectly symmetrical opening.

The mullion assembly consists of a mullion, top and bottom mounting brackets and a screw pack. Soffit adapters are available for use with either the **2923** or the **4023** MULLION. Please see Price Book for ordering information.

The **(F)-4023** and **CR(F)-4023** FIRE-RATED MULLION also includes four stabilizer blocks as required for labeled installations.

Strikes are not furnished with the mullion.

Mullions may be cut on the job for doors under stock lengths.

- Mullion fittings — ductile iron.
- **4023, (F)-4023**, cylinder removable mullion **CR(F)-4023** and **CR4023** — 2" x 3" x height.
- **2923** mullion — 1 1/2" x 2 1/2" x height.
- Prime coat standard.
- 7' or 8' door opening standard, other door opening as specified.

CYLINDERS

Control Trim

- Cylinders for control trim use 1 1/8" mortise cylinder with standard "A" cam (can measure approximately 1" overall and 5/16" wide at tip), except P Control which uses 1 1/4" rim cylinder with either horizontal or vertical tailpiece.
- Cylinder supplied only when specified. (1 1/4" long and "C" keyway standard.)
- 1 1/8" long with standard cam and "C" keyway only.
- Cylinders available keyed alike and keyed different.

Trident and Centron Trim

- 1 1/4" rim cylinder.

SEX NUTS

Sex nuts are available for 1 3/4" door thickness. Screws to fit are available in 3/4" and 2" lengths to cover a wide range of door thicknesses.

2729 (#10-24 Thread)

4122 (1/4-20 Thread)



Top Notch Distributors, Inc.

East – Pennsylvania
800-233-4210
Fax 800-854-4146

Midwest – Missouri
800-211-4607
Fax 800-211-4608






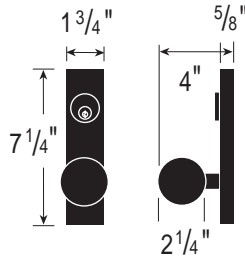
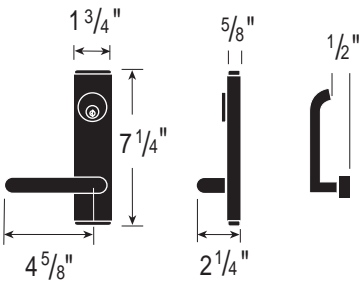
Southwest – Texas
866-693-6903
Fax 866-693-6904




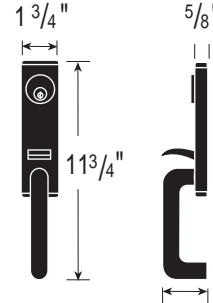
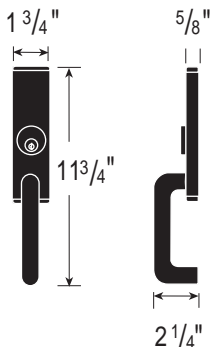
West – Nevada
800-722-4210
Fax 800-248-3620

www.topnotchinc.com

sales@topnotchinc.com

19 SERIES Trim Designs

KEY-IN-LEVER	L-CONTROL			
 <p>914 KIL</p>	 <p>L-Control Avalon 912L BE K-DT NKL</p>	 <p>L-Control Dane 912L BE K-DT NKL</p>	 <p>L-Control Sutro 912L BE K-DT NKL</p>	 <p>L-Control Quantum 912L BE K-DT NKL</p>
 <p>Key locks or unlocks trim. Knob retracts latch bolt when trim is unlocked.</p>	 <p>Key locks or unlocks trim. Lever retracts latch bolt when trim is unlocked. Dane, Quantum and Sutro levers return to within 1/2" of door.</p>			

TP-CONTROL	DT-CONTROL	NL-CONTROL
 <p>910TP BE NL</p>	 <p>910DT Pull when dogged.</p>	 <p>910NT Key retracts latchbolt.</p>
		

222

19 SERIES Trim Designs



CONTROL							
DEVICE	DT	NL	TP	T-BE	K	K-BE	K-DT
19-R/19-V	910	910	910	910	911	911	911

AVALON*			DANE*			SUTRO*			QUANTUM*			
DEVICE	L	L-BE	L-DT	L	L-BE	L-DT	L	L-BE	L-DT	L	L-BE	L-DT
19-R/19-V	912	912	912	912	911	911	912	912	912	912	912	912

KIK & KIL							
DEVICE	KIK	KIK-LS/LK	KIK-NL	KIL*	KIL-LS/LK	KIL-NL*	KIL-IC&*
19-R/19-V	913	913	913	914	914	914	914

TRIDENT TRIM			CENTRON		
DEVICE	NL	DT	C	DT	NL
19-R/19-V	920	920	930	930	930



East – Pennsylvania
800-233-4210
Fax 800-854-4146

Midwest – Missouri
800-211-4607
Fax 800-211-4608

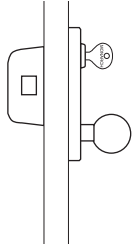
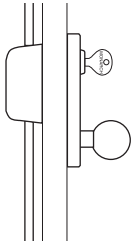
Southwest – Texas
866-693-6903
Fax 866-693-6904

West – Nevada
800-722-4210
Fax 800-248-3620

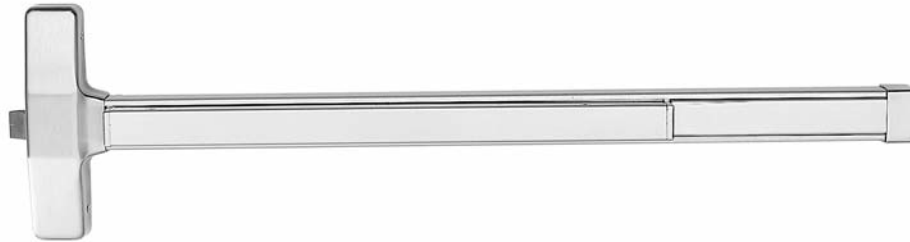
19 SERIES Functions

Monarch BA or N	ANSI (01)	Rim	Vertical Rod	Description
	Type 1 & 4 19-R-BA		Type 2 & 5 19-V-BA	Exit only, no trim.
DT	Type 1 & 4 19-R-DT		Type 2 & 5 19-V-DT	Entrance by trim when actuating bar is locked down.
P	Type 1 & 4 19-R-P		Type 2 & 5 19-V-P	Entrance by trim when latch bolt is retracted by key. Key removable only when locked.
T	Type 1 & 4 19-R-T		Type 2 & 5 19-V-T	Entrance by turnpiece. Key locks or unlocks thumbpiece.
T (NL)	Type 1 & 4 19-R-T (NL)		Type 2 & 5 19-V-T (NL)	Entrance by turnpiece only when released by key. Key removable only when locked.
K or L	19-V-K or L Type 2 & 5			Entrance by turnpiece. Inside key locks or unlocks thumbpiece. Outside key retracts latch. Type 1 & 4 19-R-K or L

19 SERIES Functions

Monarch K (NL) or L (NL)	ANSI (09)	Rim	Vertical Rod	Description
	Type 1 & 4 19-R-K or L (NL)		Type 2 & 5 19-V-K or L (NL)	Entrance by knob or lever only when released by key. Key removable only when locked.
				

F-24-R SERIES



NON-HANDED RIM DEVICE FIRE EXIT HARDWARE

MONARCH **F-24-R SERIES** FIRE RATED RIM DEVICE is produced with the demanding quality standards required for a superior fire rated device. The investment cast stainless steel chassis, stainless steel latch bolt and standard deadlocking feature ensure years of reliable service in high-traffic installations. The **F-24-R SERIES** device is a single-point, rim-type latch with the sleek styling of the modern pushbar design.



**299F
Strike**

DEVICE SIZING CHART A

Device	Length	Strike	Min. Stile	Door Opening (Width)
F-24-R-EO	3'	299F	3 1/2"	2' 7 3/8"
F-24-R-EO	4'	299F	3 1/2"	3' 1 3/8"

Specifications:

Hand: Non-handed.

UL: "B" Label (1 1/2 hour); 4'0" x 8'0"

Functions: F-24-REO (Exit Only) has all functions built in. Order trim with the device, or add it later.

Available Finishes: US3 (605), US4 (606), US10 (612), US26 (625), US26D (626), US32 (629), US32D (630), US28 (628), 318AN.

Strikes: 299F standard strike. 499F with mullion.

Latch Bolt: Stainless steel, 3/4" throw.

Deadlocking Latch Bolt: Standard.

Stock Sizes: 3' or 4'.

Doors: 1 3/4" thick, wood or metal. Specify thickness if other than 1 3/4". (SNB must be specified on wood or composite doors.)

Projection: 2 3/8" maximum.

Mounting Height: 40" from CL to finished floor.

Electric Function: Can be interfaced with building security systems. Latch retraction, security monitoring, electric dogging, delayed egress, and exit alarm available (EL and ED fail secure only.) Subject to state & local code agreements.

Fasteners: All mounting screws are concealed. Furnished with all machine screws.

Sex Bolts: Required when used with wood, composite or non-reinforced hollow metal doors. For EO device, specify 4-425 (#10-24) SNB and 2-325 (1/4-20) SNB. For devices with trim, specify 4-425 (#10-24)SNB.

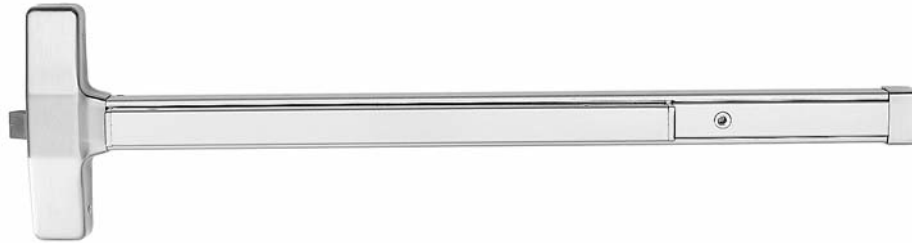
ANSI: Certified ANSI A156.3-2001 Grade-1 Standards.

Center Case and Working Parts: Investment-cast ferrous alloy with heavy wrought and sintered metal parts.

Shim Kit: For glass lite applications; 1/4" thick. Specify SK24-R.



24-R SERIES



NON-HANDED RIM DEVICE FIRE EXIT HARDWARE

MONARCH **24-R SERIES** RIM DEVICE is produced to meet the demanding requirements for high-traffic installations. This device is a single-point, rim-type latch with the sleek styling of the modern pushbar design.



299 Strike

DEVICE SIZING CHART A

Device	Length	Strike	Min. Stile	Door Opening (Width)
24-R-EO	3'	299	3 1/2"	2' 7 3/8"
		264	3 3/8"	2' 7 1/4"
		1439	2 1/4"	2' 6 1/2"
		1606	2 3/4"	2' 7 1/8"
24-R-EO	4'	299	3 1/2"	3' 1 3/8"
		264	3 3/8"	2' 7 1/4"
		1439	2 1/4"	3' 1/2"
		1606	2 3/4"	3' 1 1/8"



2789 Dogging Key



Cylinder Dogging

Specifications:

Hand: Non-handed.

Functions: 24-EO (Exit Only) has all functions built in. Order trim with the device, or add it later.

Available Finishes: US3 (605), US4 (606), US10 (612), US26 (625), US26D (626), US32 (629), US32D (630), US28 (628), 318AN.

Strikes: 299 standard strike.
Optional strikes: 264; 1439; 1606.

Latch Bolt: Stainless steel, 3/4" throw.

Deadlocking Latch Bolt: Optional. Specify "DL" prefix.

Cylinder Dogging: Specify "CD" prefix. Uses 1 1/8" long mortise cylinder with standard cam.

Stock Sizes: 3' or 4'.

Doors: 1 3/4" thick, wood or metal. Specify thickness if other than 1 3/4".

Projection: 2 3/4" maximum 2" dogged.

Mounting Height: 40" from CL to finished floor.

Electric Function: Can be interfaced with building security systems. Latch retraction, security monitoring, electric dogging, delayed egress, and exit alarm available (EL and ED fail secure only.) Subject to state & local code agreements.

Fasteners: All mounting screws are concealed.

Sex Bolts: Recommended when device is used with hollow core wood, composite or light gauge hollow metal doors. For EO device, specify 4-425 (#10-24) SNB and 2-325 (1/4-20) SNB. For devices with trim, specify 4-425 (#10-24)SNB.

ANSI: Certified ANSI A156.3-2001 Grade-1 Standards.

Center Case and Working Parts: Wrought steel with heavy wrought and sintered metal parts.

Shim Kit: For glass lite applications; 1/4" thick. Specify SK24-R.



Top Notch Distributors, Inc.

East – Pennsylvania
800-233-4210
Fax 800-854-4146

Midwest – Missouri
800-211-4607
Fax 800-211-4608

Southwest – Texas
866-693-6903
Fax 866-693-6904

West – Nevada
800-722-4210
Fax 800-248-3620

www.topnotchinc.com

sales@topnotchinc.com

F-24-V SERIES

REVERSIBLE VERTICAL ROD DEVICE FIRE EXIT HARDWARE

The MONARCH **F-24-V SERIES** FIRE RATED VERTICAL ROD DEVICE is produced to meet the demanding requirements for high-traffic installations. The **F-24-V SERIES** is a surface-applied (including strikes) vertical-rod type with the sleek styling of the modern pushbar design with top latches deadlocking feature.

DEVICE SIZING CHART A

Device	Length	Strike	Min. Stile	Door Opening (Width)
F-24-V-EO	3'	All	2 ¹ / ₈ "	2' 6 ³ / ₈ "
F-24-V-EO	4'	All	2 ¹ / ₈ "	3' 3 ³ / ₈ "

Specifications:

Hand: Field reversible.

UL: "A" label (Three-hour); 8' x 10'; 90 minute same egress - 8' x 10'. Wood door: 20 minute 8' x 10'; 90 minute 8' x 9'. Consult door manufacturer for maximum rating.

Functions: F-24-V-EO (Exit Only) has all functions built in. Order trim with the device or add it later.

Available Finishes: US3 (605), US4 (606), US10 (612), US26 (625), US26D (626), US32 (629), US32D (630), US 28 (628), 313AN.

Strikes: 3788 top strikes are surface applied, 2130 bottom strike is mortised into the floor.

Latch Bolt: Stainless steel, top latch 3/4" throw. Bottom bolt, 1/2" throw.

Latch Retraction Hold: Standard with top latch.

Deadlocking Latchbolt: Standard with top latch.

Stock Size: 3' or 4'.

Doors: 1³/₄" thick, wood or metal. Specify if other than 1³/₄" thick.

Projection: 2³/₄" maximum.

Stile: 2¹/₈" minimum when used in pairs.

Electric Function: Can be interfaced with building security systems. Latch retraction, security monitoring, electric dogging, delayed egress and exit alarm available (EL and ED fail-secure only). Subject to state & local code agreements.

Fasteners: All mounting screws are concealed. All machine (AMS) standard..

Sex Bolts: Recommended when device is used with hollow core wood, composite or light gauge hollow metal doors. For EO device, specify 8-425 (#10-24) SNB and 2-325 (1/4-20) SNB. For devices with trim, specify 8-425 (#10-24) SNB.

ANSI: Certified ANSI A156.3-2001 Grade-1 Standards.

F24-V: Latch retention (LR) top latch and bottomsquare bolt. 3788 strike top, 2130 flush strike bottom.

F24-V-LBR: Less bottom rod vertical device "A" Label (3 hour) 8' x 8'; 90 minute same egress - 8' x 8'. Wood door: 20 minute minimum - 8' x 8' openings. Consult door manufacturer for maximum rating.

Vertical Rods: Furnished to length based on 40" horizontal CL from finished floor and a 7'0" standard door. Variations from these standards must be specified when ordering.

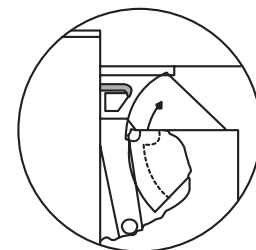
Shim Kit: For glass lite applications 1/4" thick, specify SK24-V.



3788 Strike



2130 Strike



Latch retention hold is in the top latch. Retainer is released when it engages the strike. The door is in the closed position.

24-V SERIES

REVERSIBLE VERTICAL ROD DEVICE PANIC EXIT HARDWARE

The MONARCH **24-V SERIES** VERTICAL ROD DEVICE is produced to meet the demanding requirements for high-traffic installations. The **24-V SERIES** device is a surface-applied (including strikes) vertical-rod type with the sleek styling of the modern pushbar design with top latches deadlocking feature.

DEVICE SIZING CHART A

Device	Length	Strike	Min. Stile	Door Opening (Width)
24-V-EO	3'	All	2 ¹ / ₈ "	2' 6 ³ / ₈ "
24-V-EO	4'	All	2 ¹ / ₈ "	3' ³ / ₈ "

Specifications:

Hand: Field reversible.

Functions: 24-V-EO (Exit Only) has all functions built in. Order trim with the device or add it later.

Available Finishes: US3 (605), US4 (606), US10 (612), US26 (625), US26D (626), US32 (629), US32D (630), US 28 (628), 313AN.

Strikes: 3788 top strike is surface applied, 2130 bottom strike is mortised into floor.

Angle Bracket: Use 4215 angle bracket in flush transom installations. Allows use of standard 3788 strike.

Latch Bolt: Top stainless steel, top latch ³/₄" throw. Bottom bolt, ¹/₂" throw.

Latch Retraction Hold: Standard with top latch. On top latch.

Deadlocking Latchbolt: Standard with top latch.

Dogging Feature: ¹/₂ turn hex dogging standard. No threaded part to wear out.

Cylinder Dogging: Specify "CD" prefix. Uses 1¹/₈" long mortise cylinder with standard cam.

Stock Size: 3' or 4'.

Doors: 1³/₄" thick, wood or metal. Specify if other than 1³/₄" thick.

Projection: 2³/₄" maximum, 2" dogged..

Stile: 1³/₄" minimum when used in pairs.

Electric Function: Can be interfaced with building security systems. Latch retraction, security monitoring, electric dogging, delayed egress and exit alarm available (EL and ED fail-secure only). Subject to state & local code agreements.

Fasteners: All mounting screws are concealed, sheet metal screws standard, machine screws available, specify AMS.

Sex Bolts: Recommended when device is used with hollow core wood, composite or light gauge hollow metal doors. For EO device, specify 8-425 (#10-24) SNB and 2-325 (1/4-20) SNB. For devices with trim, specify 8-425 (#10-24) SNB.

ANSI: Certified ANSI A156.3-2001 Grade-1 Standards.

F24-V: Latch retention (LR) top latch and bottom square bolt. 3788 strike top, 2130 flush strike bottom.

F24-V-LBR: Less bottom rod vertical device.

Vertical Rods: Furnished to length based on 40" horizontal CL from finished floor and a 7'0" standard door. Variations from these standards must be specified when ordering.

Shim Kit: For glass lite applications ¹/₄" thick, specify SK24-V.



3788 Strike



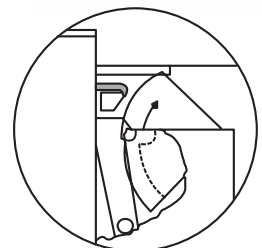
2789 Dogging Key



Cylinder Dogging



2130 Strike



Latch retention hold is in the top latch. Retainer is released when it engages the strike. The door is in the closed position.



Top Notch Distributors, Inc.

East – Pennsylvania
800-233-4210
Fax 800-854-4146

Midwest – Missouri
800-211-4607
Fax 800-211-4608

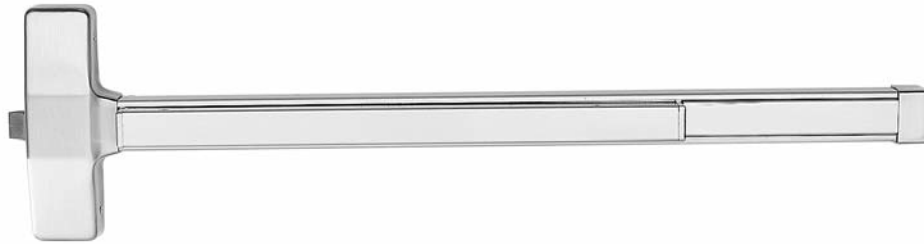
Southwest – Texas
866-693-6903
Fax 866-693-6904

West – Nevada
800-722-4210
Fax 800-248-3620

www.topnotchinc.com

sales@topnotchinc.com

F-25-R SERIES



NON-HANDED RIM DEVICE FIRE EXIT HARDWARE

MONARCH **F-25-R SERIES** FIRE RATED RIM DEVICE is produced with the demanding quality standards required for a superior fire rated device. The investment cast stainless steel chassis, stainless steel latch bolt and standard deadlocking feature ensure years of reliable service in high-traffic installations. The **F-25-R SERIES** device is a single-point, rim-type latch with the sleek styling of the modern pushbar design.



**299F
Strike**

DEVICE SIZING CHART A

Device	Length	Strike	Min. Stile	Door Opening (Width)
F-25-R-EO	3'	299F	4"	2' 7 1/2"
F-25-R-EO	4'	299F	4"	3' 1 1/2"

Specifications:

Hand: Non-handed.

UL: "A" Label (3 hour); 4'0" x 8'0"; 8'0" x 8'0" with F-4023 mullion. "B" Label (1 1/2 hour); 8'0" x 8'0" with KRF-4023.

Available Finishes: US3 (605), US4 (606), US10 (612), US26 (625), US26D (626), US32 (629), US32D (630), US28 (628), 318AN.

Strikes: 299F standard strike. 499F with mullion.

Latch Bolt: Stainless steel, 3/4" throw.

Deadlocking Latch Bolt: Standard.

Stock Sizes: 3' or 4'.

Doors: 1 3/4" thick, wood or metal. Specify thickness if other than 1 3/4".

Projection: 2 3/4" maximum.

Mounting Height: 40 1/4" from CL to finished floor.

Electric Function: Can be interfaced with building security systems. Latch retraction, FSA/FSE trim, security monitoring, electric dogging, delayed egress, and exit alarm available (EL and ED fail secure only.) Subject to state & local code agreements.

Fasteners: All mounting screws are concealed, sheet metal screws and machine screws standard.

Sex Bolts: Required for use in EO applications when used with wood, composite or not-reinforced hollow metal doors. For EO device, specify 8-425 (#10-24)SND. For devices with trim, specify 2-425 (#10-24)SNB.

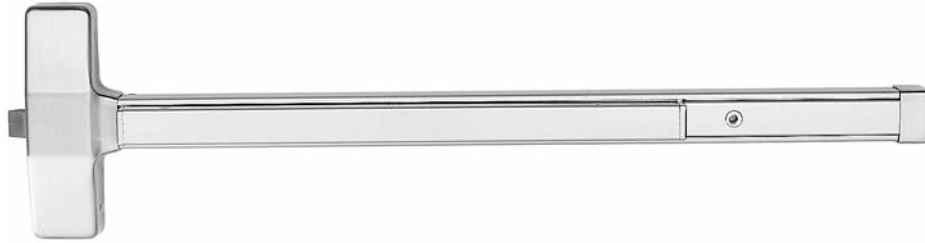
ANSI: Certified ANSI A156.3-2001 Grade-1 Standards.

Center Case and Working Parts: Center case is heavy wrought and sintered metal parts.

Shim Kit: For glass lite applications; 1/4" thick. Specify SK25-R.



25-R SERIES



NON-HANDED RIM DEVICE FIRE EXIT HARDWARE

MONARCH **25-R SERIES** RIM DEVICE is produced to meet the demanding requirements for high-traffic installations. This device is a single-point, rim-type latch with the sleek styling of the modern pushbar design.



299 Strike

DEVICE SIZING CHART A

Device	Length	Strike	Min. Stile	Door Opening (Width)
25-R-EO	3'	299	4"	2' 7 ¹ / ₂ "
		264	3 ⁷ / ₈ "	2' 7 ³ / ₈ "
		1439	3 ¹ / ₄ "	2' 6 ¹ / ₂ "
		1606	3 ⁵ / ₈ "	2' 7"
25-R-EO	4'	299	4"	3' 1 ¹ / ₂ "
		264	3 ⁷ / ₈ "	3' 1 ³ / ₈ "
		1439	3 ¹ / ₄ "	3' 1 ¹ / ₂ "
		1606	3 ⁵ / ₈ "	3' 1"



2789 Dogging Key



Cylinder Dogging

Specifications:

Hand: Non-handed.

Available Finishes: US3 (605), US4 (606), US10 (612), US26 (625), US26D (626), US32 (629), US32D (630), US28 (628), 318AN.

Strikes: 299 standard strike.
Optional strikes: 264; 1439; 1606.

Latch Bolt: Stainless steel, 3/4" throw.

Deadlocking Latch Bolt: Standard.

Dogging Feature: 1/2 turn hex dogging standard. No threaded parts to wear out.

Cylinder Dogging: Specify "CD" prefix. Uses 1 1/8" long mortise cylinder with standard cam.

Stock Sizes: 3' or 4'.

Doors: 1 3/4" thick, wood or metal. Specify thickness if other than 1 3/4".

Projection: 2 3/4" maximum 2" dogged.

Mounting Height: 40 1/4" from CL to finished floor.

Electric Function: Can be interfaced with building security systems. Latch retraction, FSA/FSE trim, security monitoring, electric dogging, delayed egress, and exit alarm available (EL and ED fail secure only.) Subject to state & local code agreements.

Fasteners: All mounting screws are concealed, sheet metal screws and machine screws standard.

Sex Bolts: Recommended when device is used with hollow core wood, composite or light gauge hollow metal doors. For EO device, specify 8-425 (#10-24) SNB. For devices with trim, specify 2-425 (#10-24)SNB.

ANSI: Certified ANSI A156.3-2001 Grade-1 Standards.

Center Case and Working Parts: Center case is heavy wrought and sintered metal parts.

Shim Kit: For glass lite applications; 1/4" thick. Specify SK25-RM.

579 Strike Retrofit Kit: Consult factory.



Top Notch Distributors, Inc.

East – Pennsylvania
800-233-4210
Fax 800-854-4146

Midwest – Missouri
800-211-4607
Fax 800-211-4608

Southwest – Texas
866-693-6903
Fax 866-693-6904

West – Nevada
800-722-4210
Fax 800-248-3620

www.topnotchinc.com

sales@topnotchinc.com

F-25-V SERIES

REVERSIBLE VERTICAL ROD DEVICE FIRE EXIT HARDWARE

The MONARCH **F-25-V SERIES** FIRE RATED VERTICAL ROD DEVICE is produced to meet the demanding requirements for high-traffic installations. The **F-25-V SERIES** is a surface-applied (including strikes) vertical-rod type with the sleek styling of the modern pushbar design with top latches deadlocking feature.

DEVICE SIZING CHART A

Device	Length	Strike	Min. Stile	Door Opening (Width)
F-25-V-EO	3'	All	3 1/2"	2' 6 3/8"
F-25-V-EO	4'	All	3 1/2"	3' 3/8"

Specifications:

Hand: Field reversible.

UL: "A" label (Three-hour); 8' x 10'; 90 minute same egress - 8' x 10'. Wood door: 20 minute 8' x 10'; 90 minute 8' x 9'. Consult door manufacturer for maximum rating.

Available Finishes: US3 (605), US4 (606), US10 (612), US10B (613), US26 (625), US26D (626), US32 (629), US32D (630), US 28 (628), 313AN.

Strikes: 3788 top strike is surface applied, 2130 bottom strike is mortised into floor.

Latch Bolt: Top stainless steel, 3/4" throw. Bottom bolt, 1/2" throw.

Latch Retraction Hold: Standard with top latch.

Deadlocking Latchbolt: Standard in top latch.

Stock Size: 3' or 4'.

Doors: 1 3/4" thick, wood or metal. Specify if other than 1 3/4" thick.

Projection: 2 3/4" maximum.

Stile: 3 1/2" minimum.

Electric Function: Can be interfaced with building security systems. Latch retraction, FSA/FSE trim, security monitoring, electric dogging, delayed egress and exit alarm available (EL and ED fail-secure only). Subject to state & local code agreements.

Fasteners: All mounting screws are concealed. All machine (AMS) standard.

Sex Bolts: Required when used with wood, composite or non-reinforced hollow metal doors. For EO device, specify 12-425 (#10-24) SNB. For devices with trim, specify 8-425 (#10-24) SNB.

ANSI: Certified ANSI A156.3-2001 Grade-1 Standards.

F25-V: Latch retention (LR) top latch and bottom square bolt. 3788 strike top, 2130 flush strike bottom.

F25-V-LBR: Less bottom rod vertical device "A" Label (3 hour) 8' x 8'; 90 minute same egress - 8' x 8'. Wood door: 20 minute minimum - 8' x 8' openings. Consult door manufacturer for maximum rating.

Vertical Rods: Furnished to length based on 40 1/4" horizontal CL from finished floor and a 7'0" standard door. Variations from these standards must be specified when ordering.

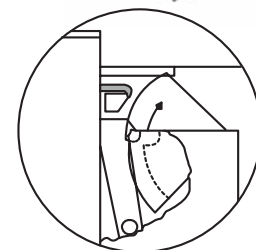
Shim Kit: For glass lite applications 1/4" thick, specify SK25-V.



3788 Strike



2130 Strike



Latch retention hold is in the top latch. Retainer is released when it engages the strike. The door is in the closed position.

25-V SERIES

REVERSIBLE VERTICAL ROD DEVICE PANIC EXIT HARDWARE

The MONARCH **25-V SERIES** VERTICAL ROD DEVICE is produced to meet the demanding requirements for high-traffic installations. The **25-V SERIES** device is a surface-applied (including strikes) vertical-rod type with the sleek styling of the modern pushbar design with top latches deadlocking feature.

DEVICE SIZING CHART A

Device	Length	Strike	Min. Stile	Door Opening (Width)
25-V-EO	3'	All	3 1/2"	2' 6 3/8"
25-V-EO	4'	All	3 1/2"	3' 3/8"

Specifications:

Hand: Field reversible.

Available Finishes: US3 (605), US4 (606), US10 (612), US26 (625), US26D (626), US32 (629), US32D (630), US 28 (628), 313AN.

Strikes: 3788 top strike is surface applied, 2130 bottom strike is mortised into floor.

Angle Bracket: Use 4215 angle bracket in flush transom installations. Allows use of standard 3788 strike.

Latch Bolt: Top stainless steel 3/4" throw. Bottom bolt, 1/2" throw.

Latch Retraction Hold: Standard with top latch.

Deadlocking Latchbolt: Standard in top latch.

Dogging Feature: 1/2 turn hex dogging standard. No threaded part to wear out.

Cylinder Dogging: Specify "CD" prefix. Uses 1 1/8" long mortise cylinder with standard cam.

Stock Size: 3' or 4'.

Doors: 1 3/4" thick, wood or metal. Specify if other than 1 3/4" thick.

Projection: 2 3/4" maximum, 2" dogged.

Stile: 3 1/2" minimum when used in pairs.

Electric Function: Can be interfaced with building security systems. Latch retraction, FSA/FSE trim, security monitoring, electric dogging, delayed egress and exit alarm available (EL and ED fail-secure only). Subject to state & local code agreements.

Fasteners: All mounting screws are concealed, sheet metal screws standard, machine screws available, specify AMS.

Sex Bolts: Recommended when device is used with hollow core wood, composite or light gauge hollow metal doors. For EO device, specify 12-425 (#10-24) SNB. For devices with trim, specify 8-425 (#10-24) SNB.

ANSI: Certified ANSI A156.3-2001 Grade-1 Standards.

25-V: Latch retention (LR) top latch and bottom square bolt. 3788 strike top, 2130 flush strike bottom.

25-V-LBR: Less bottom rod vertical device.

Vertical Rods: Furnished to length based on 40 1/4" horizontal CL from finished floor and a 7'0" standard door. Variations from these standards must be specified when ordering.

Shim Kit: For glass lite applications 1/4" thick, specify SK25-V.



3788 Strike



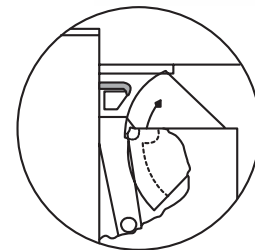
2789
Dogging Key



Cylinder Dogging



2130 Strike



Latch retention hold is in the top latch. Retainer is released when it engages the strike. The door is in the closed position.



Top Notch Distributors, Inc.

East - Pennsylvania
800-233-4210
Fax 800-854-4146

Midwest - Missouri
800-211-4607
Fax 800-211-4608

Southwest - Texas
866-693-6903
Fax 866-693-6904

West - Nevada
800-722-4210
Fax 800-248-3620

www.topnotchinc.com

sales@topnotchinc.com

Note:



Top Notch Distributors, Inc.

East – Pennsylvania
800-233-4210
Fax 800-854-4146

Midwest – Missouri
800-211-4607
Fax 800-211-4608

Southwest – Texas
866-693-6903
Fax 866-693-6904

West – Nevada
800-722-4210
Fax 800-248-3620

www.topnotchinc.com

sales@topnotchinc.com